

- Seamlessly integrated IP connectivity
- USB virtual media support
- HDMI input up to 4K30
- Highly secure transmission
- Best in class performance
- Multiple remote access options

PRODUCT INFORMATION

SIRA - Secure IP Remote Access

For installations that do not require full matrix switching capability, IHSE offers an IP module for direct computer connection. Individual computers can be accessed and operated remotely over an IP network using an HTML5 browser, client software or SIRA User Station down to the BIOS level since the Stand-Alone SIRA only connects to

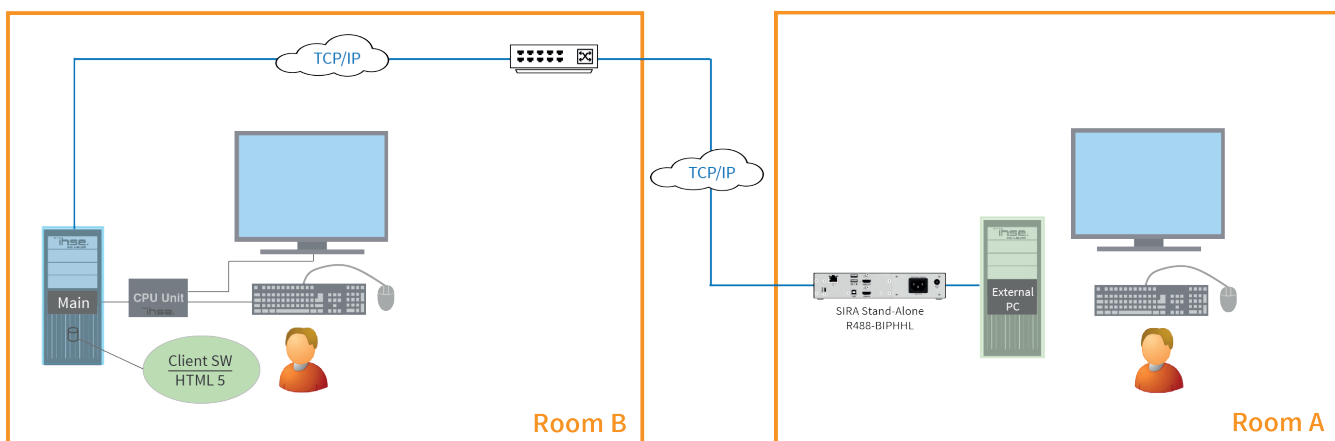
the external interfaces and does not require any drivers to be installed. Additional local outputs (signal feed-through) allow users to access the local computer at the same time. Includes USB virtual media support to enable transmitting files. The modular design allows several mounting options including redundant power feeding. Up to three SIRA Stand-Alone encoders

fit into 1RU. In combination with Draco tera matrix switching system for 4K60 networks, the SIRA Stand-Alone encoder is the ideal remote service gateway in combination with an HDMI 2.0 CON module (R495) without sacrificing the local 4K60 performance.

PRODUCT FEATURES

- Stand-Alone version directly connects to PCs or 3rd party KVM
- HDMI input up to 4k30
- USB HID input
- Local console interface
- HDMI embedded audio
- Virtual media support (file transfer to target PC)

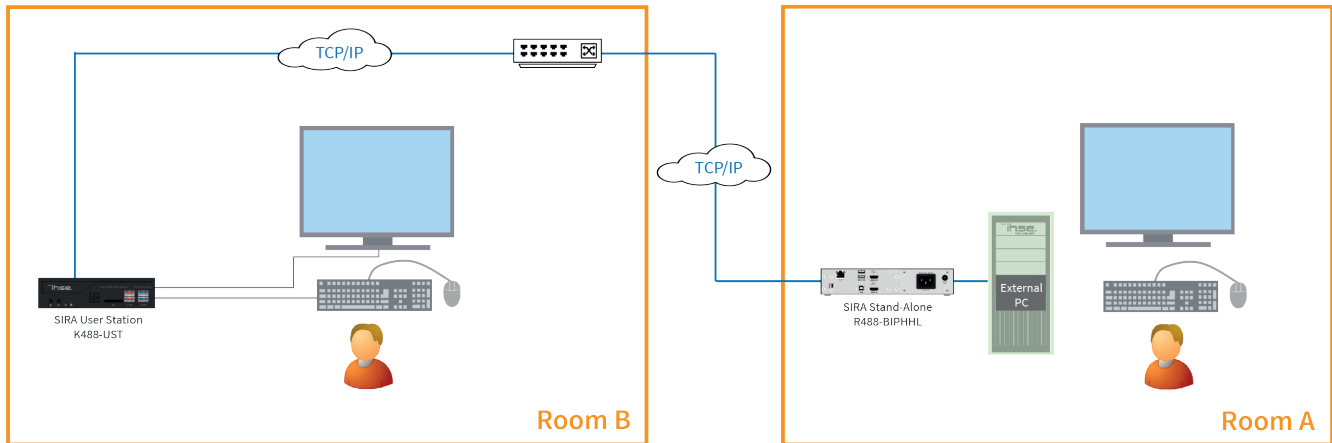
FUNCTIONAL DIAGRAM



Remote user via Desktop PC running remote client SW or HTML5 browser

Stand-Alone PC with local user

Alternative module for stand-alone connections



Remote user via dedicated SIRA Remote User Station (K488-UST)

Stand-Alone PC with local user

TECHNICAL DATA	
Input	HDMI up to 4K30, USB 2.0 (Type B)
Output	HDMI 4K30, 2x USB Type A, 1x RJ-45
Audio (embedded)	2-channel stereo audio
Maximum resolution	Up to 4K30 or 1920 x 1200 x 60 Hz
Keyboard / mouse	USB-HID
Supported Protocols	TCP/IP
Network Security Protocols	SSL with 128-bit or 256-bit encryption; SNMPv3, LDAPS
Power supply	Power supply via the used Draco vario chassis*
Current draw	Max. 1.600 mA per extender module (power input via the used Draco vario chassis)*
Dimensions	40 x 129 x 145 mm
Weight	approx. 120 g
Chassis / mounting accessories	Suitable Draco vario chassis and accessories under the following link: www.ihse.com/chassis-accessoires/

* For detailed information refer to the user manual or Draco System Designer.

ORDER NUMBER

DRACO SIRA STAND-ALONE		PART NO.
Draco SIRA Stand-Alone module with native HDMI and USB interfaces		R488-BIPHHL

For installations with direct matrix connection please use the **Draco SIRA CON** module.

DRACO SIRA CON	PART NO.
Draco SIRA CON, Cat X	R488-BIPC
Draco SIRA CON, Cat X with redundant link interface	R488-BIPCR
Draco SIRA CON, Fiber	R488-BIPS
Draco SIRA CON, Fiber with redundant link interface	R488-BIPSR



IHSE offers an online tool for free configuration of your KVM projects. It enables documentation and verification of individual extenders up to complete matrix applications. All KVM switches and extenders are available for selection, including add-on modules, chassis variants and special accessories: dsd.ihse.com